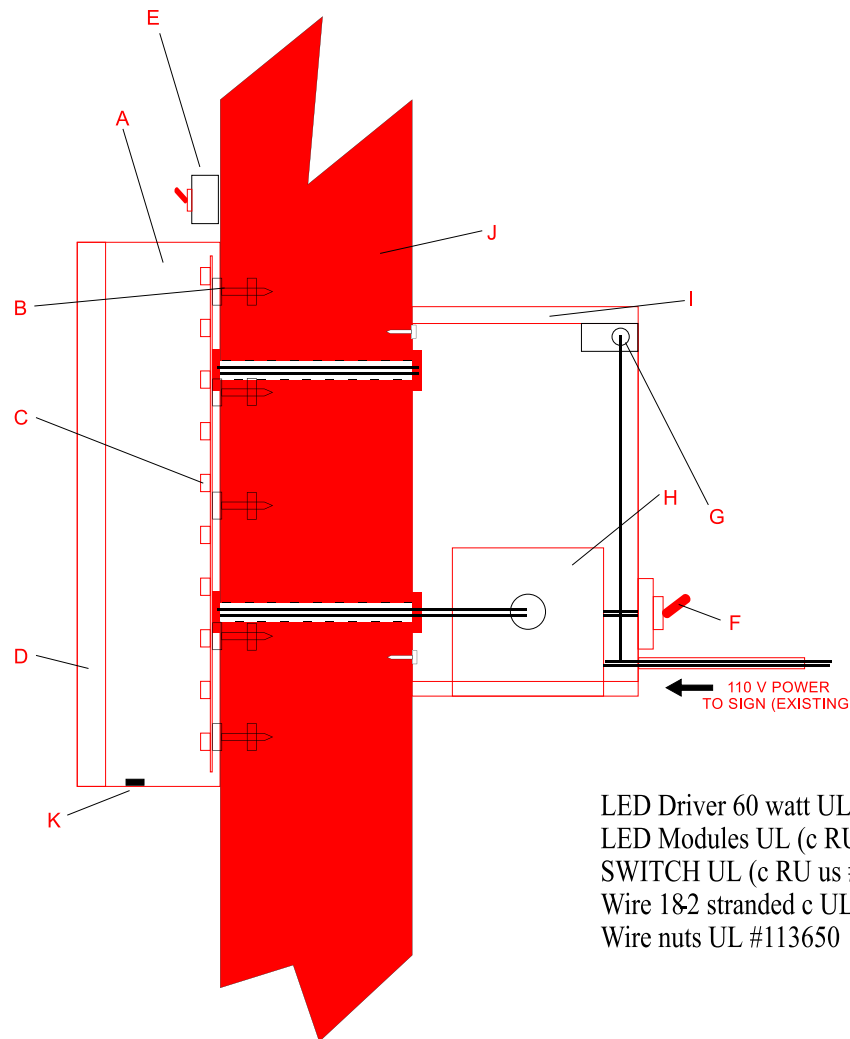


# Proposed Conditions ( Engineering )



- A. .040 ALUMINUM RETURN
- B. 3/8" x 4" TAPCONS MIN 4 PER LETTER
- C. LED ILLUMINATION
- D. 1" JEWELITE
- E. DISCONNECT SWITCH ( 20 AMP / ON - OFF )
- F. ON / OFF 20 AMP DISCONNECT
- G. GROUND LUG
- H. 12V-60W LED BALLAST
- I. METAL CAN WITH LID
- J. CONCRETE WALL
- K. DRAIN HOLE

LED Driver 60 watt UL (c RU us #E320521 & E307078)  
 LED Modules UL (c RU us # E340368)  
 SWITCH UL (c RU us #E200089)  
 Wire 18-2 stranded c UL and UL  
 Wire nuts UL #113650

## STRUCTURAL NOTES:

ASSEMBLY PER NEC 600-3

Design is in accordance with the requirements of the Fla Bldg Code 8th Ed (2023) for use within & outside the High Velocity Hurricane Zone (HVHZ). This engineering certifies only the structural integrity of those systems, components, and/or other construction explicitly specified herein. Electrical notes, details, & specifications are provided by and are the sole responsibility of the electrical contractor. No electrical review has been performed and no certification of such is intended. Aluminum extrusions shall be 6063-T6, unless noted otherwise.

**ANCHORS:** TO BE ITW BUILDEX, ELCO TAPCON, POWERS, RAWL, OR MFR. RATED EQUAL TO X ANCHOR DIAMETER SPACING IS REQUIRED BETWEEN ANCHORS AND EDGE OF CONC. MIN. IF UNSPECIFIED, A 24" MAX O.C. SPACING OF ANCHORS SHALL BE USED + EACH CORNER. WOOD ANCHORS TO BE NON-CORROSIVE GRADE 2 OR GRADE 5 LAG BOLTS OR EQ, 3/4" MIN. ED. #2 SOUTHERN YELLOW PINE MINIMUM USED IN ALL WOOD CALCULATIONS. THROUGH BOLTS SHALL BE FITTED WITH A 1" MIN. WASHER & DOUBLE NUT U.N.O. MINIMUM EMBEDMENT DEPTH DOES NOT INCLUDE STUCCO, FINISHES, OR SHIM SPACING. STRUCTURAL BOLTS TO BE A-325, GRADE 5. A 2" MAX EXPOSED SHANK IS TO BE USED U.N.O. HOST STRUCTURE IS BY OTHERS AND SHALL BE DESIGNED TO CARRY LOADS BY PROPOSED SIGN. THIS ENGINEER HAS NOT VISITED THE JOBSITE. DESIGN IS BASED ON CONTRACTOR SUPPLIED DATA. IF ANY FIELD CONDITIONS THEN SPECIFIED HEREIN, THIS ENGINEER SHALL BE NOTIFIED

## ELECTRICAL NOTES:

ALL ELECTRICAL DESIGN AND EXISTING PRIMARY ELECTRICAL IS BY OTHERS AND IS NOTED FOR REFERENCE ONLY AND NOT PART OF CERTIFICATION. WORK SHALL BE APPROVED AND INSTALLED BY A LICENSED PROFESSIONAL. ALL ELECTRICAL COMPONENTS SHALL BE U/L LISTED AND SHALL COMPLY WITH THE GOVERNING EDITION OF THE NATIONAL ELECTRIC CODE IN EFFECT AT THE TIME OF PERMIT APPLICATION. SIGN SHALL BE GROUNDED IN ACCORDANCE WITH GOVERNING CODES. ALL BREAKER AND TIMING DEVICES SHALL BE IDENTIFIED AT TIME OF INSTALLATION.



CONTRACTOR OF RECORD

**Signarama**

DEERFIELD BEACH

STATE LICENSED & INSURED  
 ES12002560

4716 North Powerline Road  
 Deerfield Beach, FL 33073

(954) 428-SIGN (7446)  
 (954) 428-2634 (FAX)

**CUSTOMER**

Beachway Plaza

**LOCATION**

**DATE**

05-26-26

**DRAWN BY**

DB

**SCALE**

Varies

**MOUNTING**



All Designs Are The Property Of Signarama Deerfield Beach, And May Not Be Duplicated Without Permission.